

Installation Instructions

Part No. 1163505

IMPORTANT:
Read and save
these instructions.

IMPORTANT:

Installer: Leave Installation Instructions
with the homeowner.

Homeowner: Keep Installation Instructions
for future reference.

Save Installation Instructions for local
electrical inspector's use.

9/93

Air Conditioner

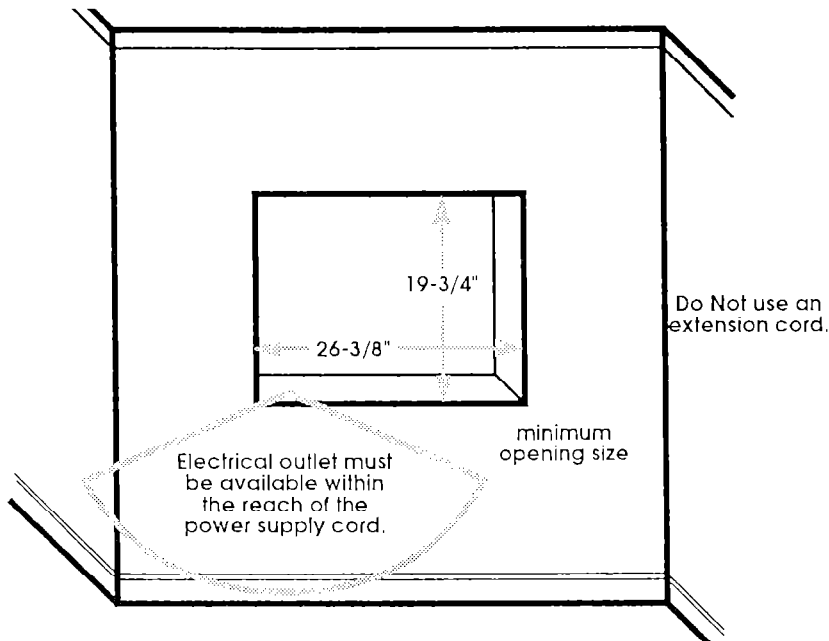


Before you start...

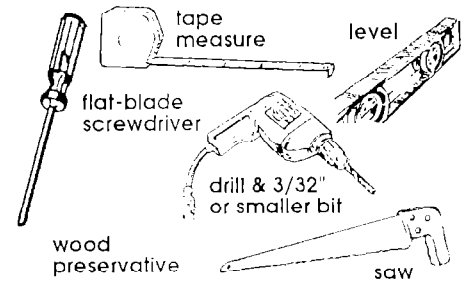
Proper installation is your responsibility. Make sure you have everything necessary for correct installation. It is the customer's responsibility to comply with the installation specifications provided.

Grounded electrical outlet within reach of the power supply cord is required. See Electrical requirements.

Important: Observe all governing codes and ordinances.



Tools and materials needed for installation:



Order Window Mounting Kit, Part No. 1162147 from authorized parts distributor.

Electrical requirements

⚠ WARNING

Electrical Shock Hazard

- Electrical ground is required on this appliance.
- If cold water pipe is interrupted by plastic, non-metallic gaskets or other insulating materials. Do Not use for grounding.
- Do Not ground to a gas pipe.
- Do Not modify the power supply cord plug. If it does not fit the outlet, have a proper outlet installed by a qualified electrician.
- Do Not have a fuse in the neutral or grounding circuit. A fuse in the neutral or grounding circuit could result in an electrical shock.
- Do Not use an extension cord with this appliance.
- Check with a qualified electrician if you are in doubt as to whether the appliance is properly grounded.
- Grounding wire must be connected to grounding screw located in lower right corner of air conditioner when air conditioner is in cabinet.

Failure to follow these instructions could result in serious injury or death.

If codes permit and a separate grounding wire is used, it is recommended that a qualified electrician determine that the grounding path is adequate.

Check location where air conditioner will be installed:

- Correct opening size,
- Adequate wall support for weight of air conditioner,
- An electrical outlet within reach of power supply cord,

- Free movement of air to rooms to be cooled.

The opening dimensions must have a 26-3/8" width and 19-3/4" height.

⚠ WARNING

Electrical Shock Hazard

It is the customer's responsibility:

- To contact a qualified electrical installer.
- To assure that the electrical installation is adequate and in conformance with National

Electrical Code, ANSI/NFPA 70 — latest edition*, and all local codes and ordinances.

Failure to do so could result in fire, electrical shock or other personal injury.

Personal Injury/Product Damage Hazard

- Because of the weight and size of the air conditioner, more than one person is needed to move, lift and safely install it.
- Handle air conditioner with care. Metal fins on front and rear coils are sharp.
- Do Not drink the water that collects inside the air conditioner. It is not sanitary.
- Maintain a firm hold on the air

conditioner to prevent it from falling out of opening during installation.

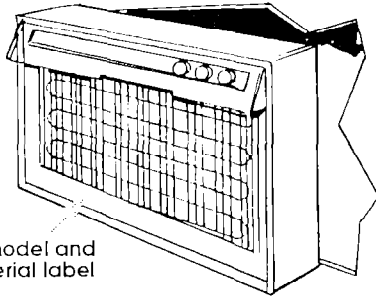
- Do Not locate air conditioner where cabinet front is exposed to a heat source that raises the surface temperature above 120°F.

Failure to follow these instructions could result in personal injury or damage to air conditioner.

Copies of the standards listed may be obtained from:

*National Fire Protection Association
Battery March Park
Quincy, Massachusetts 02269

A single-phase, 60-Hz, AC-only, electrical supply is required on a separate circuit. A time-delay fuse or circuit breaker is required: 15-amp for models without electric heater and 30-amp for models with electric heater. The fuse size must not exceed the circuit rating specified on the model and serial label. The model and serial label is located behind the front panel on the base flange.



Specific electrical requirements are listed in the chart. Follow the requirements for the type of plug on the power supply cord.

Recommended grounding method

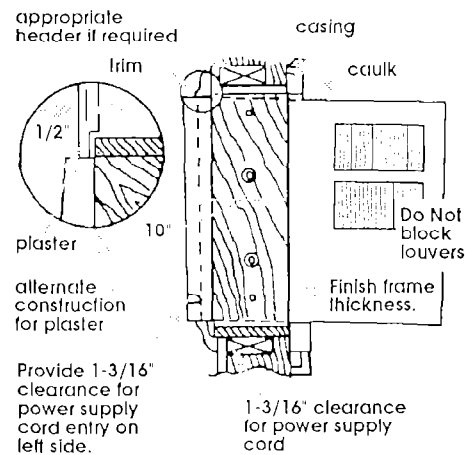
For your personal safety, this appliance must be grounded. This appliance is equipped with a power supply cord having a 3-prong grounding plug. To minimize possible shock hazard, the cord must be plugged into a mating, 3-prong grounding-type wall receptacle, grounded in accordance with the National Electrical Code, ANSI/NFPA 70 — latest edition*, and all local codes and ordinances. If a mating wall receptacle is not available, it is the personal responsibility and obligation of the customer to have a properly grounded, 3-prong wall receptacle installed by a qualified electrician.

Now start...

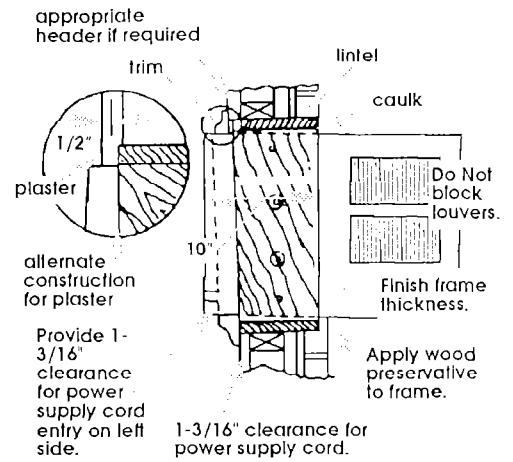
With air conditioner in room where it will be installed.

THROUGH-THE-WALL INSTALLATION INSTRUCTIONS ... FOR SLIDE-OUT CHASSIS MODEL ONLY.

It is the customer's responsibility and obligation to have this product installed by a qualified technician familiar with through-the-wall room air conditioner installations.

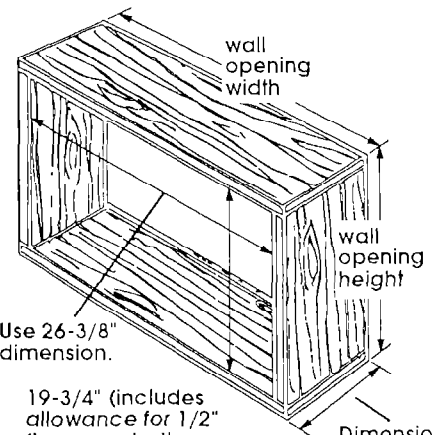


Frame construction



Brick veneer construction

- When using a wood, metal or plastic molding, the finish frame should line up with inside wall. If the plastered wall is to be flush with the cabinet and no molding is used, the finish frame must be set 1/2 inch into the wall.



Use 26-3/8" dimension.

19-3/4" (includes allowance for 1/2" flange on bottom of cabinet)

Dimension depends on wall thickness and type of molding.

2.

Cut opening through the wall. Remove insulation.

- Use 1-inch or heavier lumber for wood frame. Measure depth of wall opening and frame.

Apply wood preservative to the outside exposed surface.

4.

Insert the frame in the wall opening. Square and level frame. Nail frame securely to the wall studs.

Plug Type	Electrical Requirements	Minimum receptacle wire size
<p>3-prong grounding plug</p> <p>3-prong grounding-type wall receptacle</p> <p>power supply cord</p>	115-volt models rated up through 12.0 amperes	14 gauge
<p>1/4" blade receptacle</p> <p>small tandem blades grounding prong</p>	230-volt and 230/208-volt models rated up through 12.0 amperes	14 gauge
<p>receptacle</p> <p>T blade</p> <p>large blade grounding prong</p>	230-volt and 230/208-volt models rated up through 16.0 amperes	12 gauge
<p>receptacle</p> <p>large tandem blades</p> <p>grounding prong</p> <p>1/2" blade</p>	230-volt and 230/208-volt models rated up through 24.0 amperes	10 gauge

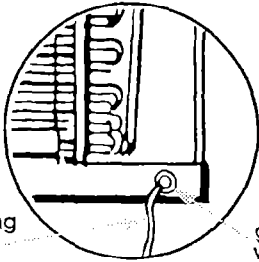
⚠ CAUTION

Floor Damage

Remove air conditioner from carton and place on cardboard.

Failure to do so may cause damage to floor covering.

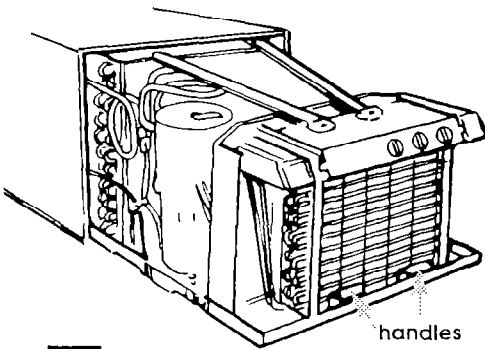
- 5.** Remove air conditioner from carton and place on cardboard.



grounding wire

grounding wire screw

- 6.** Loosen but Do Not remove the grounding wire screw. Disconnect grounding wire.



handles

- 7.** Pull on handles; slide air conditioner out of cabinet and place on cardboard.

- 8.** Insert cabinet into wall opening. The top of the cabinet should extend 1/2 inch into room. If there is trim, the cabinet should extend 1/2 inch in front of trim.

⚠ CAUTION

Floor Damage

Check that air conditioner cabinet is tilted to the outside so that water will run to the outside.

Failure to do so may cause damage to floor covering.

- 9.** Place level inside cabinet on the right side. There should be a tilt to the outside of approximately one bubble. Place the level on the left side and check.

- 10.** Use the insulation removed in Step 2 to seal opening between cabinet and frame.

- 11.** Drill four holes on each side and two through the top of the cabinet into the frame. Use ten, #10 x 1" wood screws to attach cabinet to frame. **Do Not overtighten screws or cabinet will distort and provide a poor air seal between cabinet and air conditioner.**

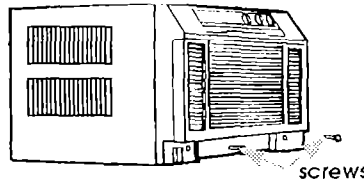
⚠ WARNING

Electrical Shock Hazard

Grounding wire from the air conditioner must be connected to the cabinet.

Failure to do so could result in electrical shock.

- 12.** Insert air conditioner into cabinet. Reattach grounding wire to grounding screw. Put excess grounding wire between coil and grey beaded foam.



screws

- 13.** Attach front by first removing the two, #8 x 3/8" screws from base; then insert front tabs into top of cabinet and swing front in place. Attach bottom of front by reinserting the two, #8 x 3/8" screws.

- 14.** Caulk all outside wall openings around cabinet.

- 15.** If needed, install molding around room side of cabinet.

If your air conditioner is not operating properly...

Check that the circuit breaker is not tripped or house fuse blown. Check that power supply cord is securely plugged into the electrical outlet.

If you need assistance...

The Whirlpool Consumer Assistance Center will answer any questions about operating or maintaining your air conditioner not covered in the Installation Instructions. The Whirlpool Consumer Assistance Center is open 24 hours a day, 7 days a week. Just dial (800) 253-1301 — the call is free.

When you call, you will need the air conditioner model number and serial number. Both numbers can be found on the model and serial label located behind the front panel on the base flange.

If you need service...

In the event that your Whirlpool appliance should need service, call the dealer from whom you purchased the appliance or a Whirlpool-authorized service company. A Whirlpool-authorized service company is listed in the Yellow Pages of your telephone directory under "Appliances — Household — Major — Service or Repair." You can also obtain the service company's name and telephone number by dialing, free, within the continental United States, the Whirlpool Consumer Assistance Center telephone number, (800) 253-1301. A special operator will tell you the name and number of your nearest Whirlpool-authorized service company.

Maintain the quality built into your Whirlpool appliance — call a Whirlpool-authorized service company.

