

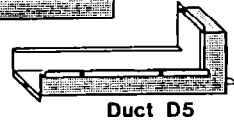
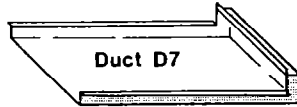
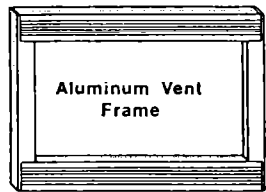
INSTALLATION INSTRUCTION FOR WHIRLPOOL TRIM-KIT MODELS: MK9167XAQ, MK9167XAB (KEEP FOR FUTURE REFERENCE)

FOR USE WITH WHIRLPOOL MICROWAVE OVEN MODELS: MT9160XYQ, MT9160XYB

[UL LISTED - FOR USE OVER GAS & ELECTRIC HEAT SOURCE INCLUDING MODELS: SB130PER, SB160PEX, RB760PXY]

STEP 1

PART LIST



No.10 Screws (slotted) 2 Req'd



No.12 Screws 2 Req'd



Low Profile Screws 8 Req'd



Spring Clips 4 Req'd

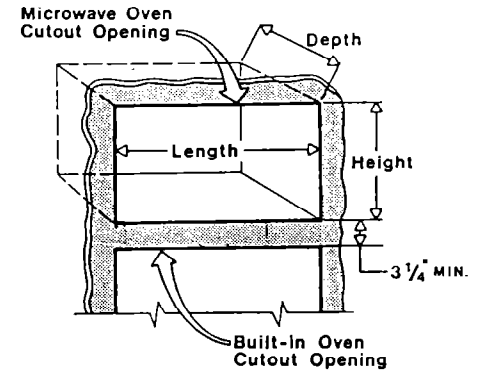
STEP 2

CUT-OUT DIMENSIONS

Height = $16 \frac{3}{4}$ "

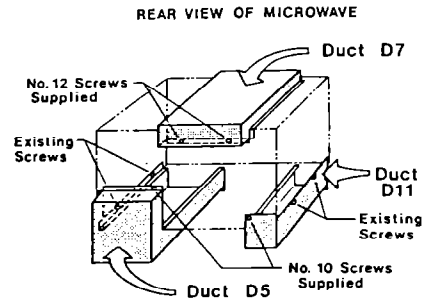
Length = $24 \frac{1}{2}$ "

Depth = $23 \frac{3}{4}$ " (min.)



STEP 3

1. Disconnect microwave and remove any loose items inside the oven before proceeding with installation.
2. Detach Existing Screws(4) from the microwave cabinet sides at locations as indicated.
3. Install Ducts D5 and D11 by re-attaching Existing Screws(4) and using No.10 Screws(2) as shown.
4. Position Duct D7 over microwave, covering rear exhaust vent. Loosely attach Duct using No.12 Screws(2) as shown.
5. Lift the front of Duct D7 and peel backing off double sided tape from the Duct bottom. Press down firmly on Duct. Tighten No.12 Screws(2) at the back.



STEP 4

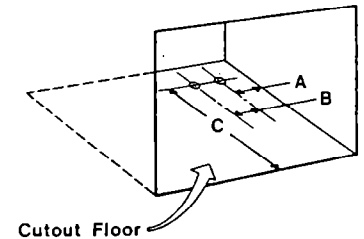
1. Mark center positions (or center-punch) for the Anti-Tip Bracket as shown.

Dimensions:

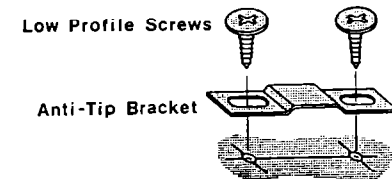
A = $1 \frac{5}{8}$ "

B = $3 \frac{5}{8}$ "

C = $19 \frac{5}{8}$ "

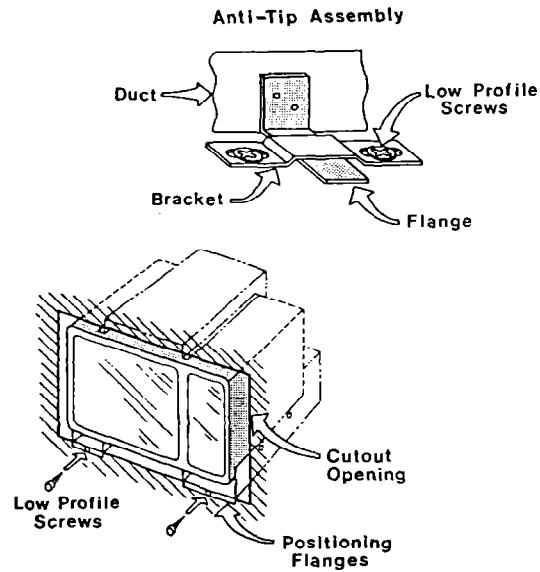


2. Drill pilot holes as required.
3. Install Anti-Tip Bracket with Low Profile Screws(2) as shown.



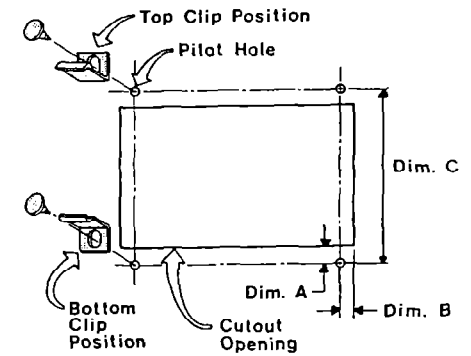
STEP 5

1. Place microwave oven in the opening of the cut-out. *Be careful not to bend the Anti-Tip Flange.* Flange must be flat to cut-out floor to engage correctly with Anti-Tip Bracket as shown.
2. Plug in microwave oven.
3. Center microwave oven within the cut-out opening and slide oven in place.
4. After oven is in place, ensure microwave is *accurately centered*.
5. Drill pilot holes through Positioning Flanges and install Low Profile Screws(2) at the front of the Ducts as shown.



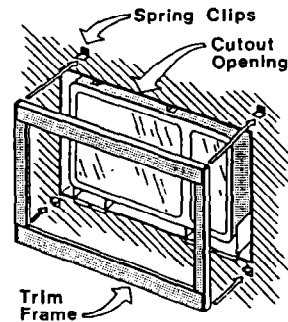
STEP 6

1. Mark center positions (or center punch) for the pilot holes(4) as shown. Dim.A is measured from the cut-out bottom and Dim.B is from the cut-out side. The top hole is determined by Dim.C.
- $Dim.A = \frac{1}{2}''$
 $Dim.B = \frac{3}{8}''$ (min.)
 $Dim.C = 17 \frac{11}{16}''$
2. Drill pilot holes and install the Spring Clips(4) using Low Profile Screws(4). Note that the top Clips face up and the bottom Clips face down as shown.
 3. The Spring Clips are provided with a slotted hole for fine adjustments as required.



STEP 7

1. Place Trim Frame over the microwave. Make sure microwave is centered within the Frame. Firmly push Frame against the wall at the four Spring Clip locations as shown.
2. Check Frame for tight fit. If Frame is loose, remove the Frame and make necessary adjustments by loosening the Screws, re-positioning the Clips and re-tightening the Screws. Re-attach Frame as above.



STEP 8

1. Your Trim-Kit is now fully installed. Replace any loose items that might have been removed from the oven.
2. Please keep this installation instruction for future reference.