

Installation Instructions

20", 30" and 36" Gas Cooktops



IMPORTANT:
Read and save
these instructions.

IMPORTANT:

Installer: Leave Installation Instructions with the appliance.

Homeowner: Keep Installation Instructions for future reference.

Save Installation Instructions for local electrical inspector's use.

Before you start...

Proper installation is your responsibility. Make sure you have everything necessary for correct installation. It is the responsibility of the installer to comply with installation clearances specified on the serial/rating plate. The serial/rating plate is located on the bottom of the cooktop.

Check the location where the cooktop will be installed. The location should be away from strong draft areas, such as windows, doors and strong, heating vents or fans. The cooktop should be located for convenient use in the kitchen.

ALL OPENINGS IN THE WALL OR FLOOR WHERE THE COOKTOP IS TO BE INSTALLED MUST BE SEALED.

Grounded electrical outlet is required. See "Electrical requirements".

Proper gas supply connection must be available. See "Gas supply requirements".

IMPORTANT: Observe all governing codes and ordinances. Failure to meet codes and ordinances could lead to fire or electrical shock.

The clearances specified are for combustible walls and materials that have a density of 20 or more pounds per cubic foot. No evaluation of clearances has been made for installations adjacent to materials that are less than 20 pounds per cubic foot or to plastic tiles and sheeting.

Countertop opening dimensions that are shown must be used. Given dimensions are minimum clearances and provide the required 0" clearance.

Mobile home installation: The installation of this cooktop must conform to the Manufactured Home Construction and Safety Standards, Title 24 CFR, Part 3280 (formerly the Federal Standard for Mobile Home Construction and Safety, Title 24, HUD, Part 280), or when such standard is not applicable, the Standard for Manufactured Home Installations 1982 (Manufactured Home Sites, Communities and Set-Ups), ANSI A225.1 — latest edition, or with local codes.

Copies of the standards listed above may be obtained from:
***National Fire Protection Association**
 Batterymarch Park
 Quincy, Massachusetts 02269
****American Gas Association**
 1515 Wilson Boulevard
 Arlington, Virginia 22209

WARNING: If the information in this manual is not followed exactly; a fire or explosion may result causing property damage, personal injury or death.

- Do not store or use gasoline or other flammable vapors and liquids in the vicinity of this or any other appliance.
- **WHAT TO DO IF YOU SMELL GAS**
 - Do not try to light any appliance.
 - Do not touch any electrical switch; do not use any phone in your building.
 - Immediately call your gas supplier from a neighbor's phone. Follow the gas supplier's instructions.
 - If you cannot reach your gas supplier, call the fire department.
- Installation and service must be performed by a qualified installer, service agency or the gas supplier.

! WARNING

Fire Hazard
 Do Not obstruct the flow of combustion and ventilation air.

Personal Injury Hazard
 Avoid installing cabinet storage above the cooking surface. If cabinets are already installed, reduce the hazard of reaching over a heated cooking surface by installing a range hood. The range hood should extend a minimum of 5 inches out from the bottom front of the cabinets. Reaching over a heated cooking surface could result in a serious burn or other personal injury.

Electrical Shock Hazard
 It is the customer's responsibility:

- To contact a qualified electrical installer.
- To assure that electrical installation is adequate and in conformance with National Electrical Code, ANSI/NFPA 70- latest edition*, and all local codes and ordinance.

Failure to do so could result in fire, electrical shock or other personal injury.

20" Cooktop

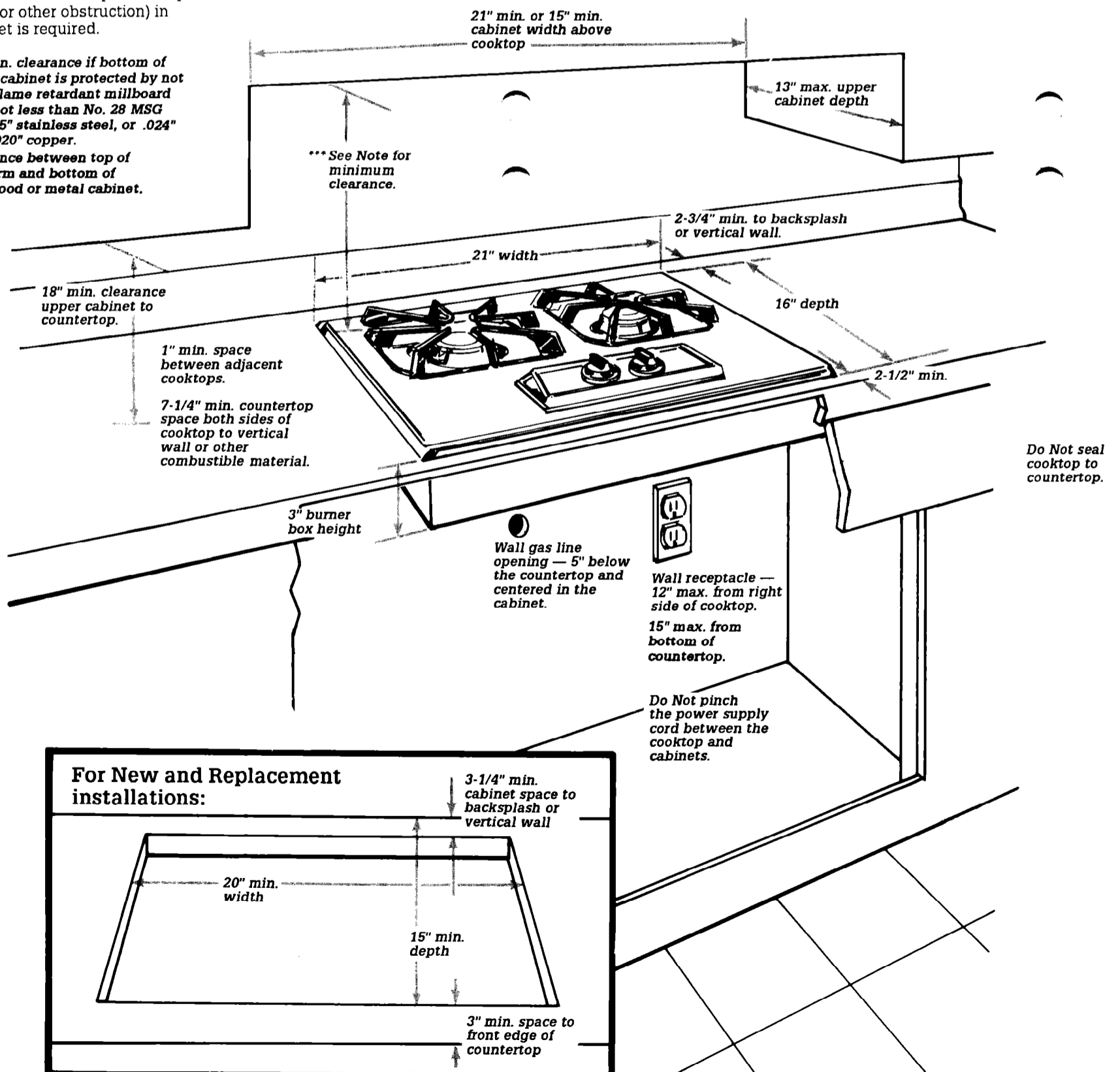
24" min. base cabinet is required. If cabinet has a drawer, a 3-1/2" depth clearance from the countertop to the top of the drawer (or other obstruction) in the base cabinet is required.

***Note: 30" min. clearance if bottom of wood or metal cabinet is protected by not less than 1/2" flame retardant millboard covered with 1/8" of less than No. 28 MSG sheet steel, .015" stainless steel, or .024" aluminum or .020" copper.

36" min. clearance between top of cooking platform and bottom of unprotected wood or metal cabinet.

A. Read "Before you start...", "Gas requirements" and "Electrical requirements" before installing cooktop.

B. Installation dimensions for the 30" cooktop are given on Panel B and for the 36" cooktop on Panel C.



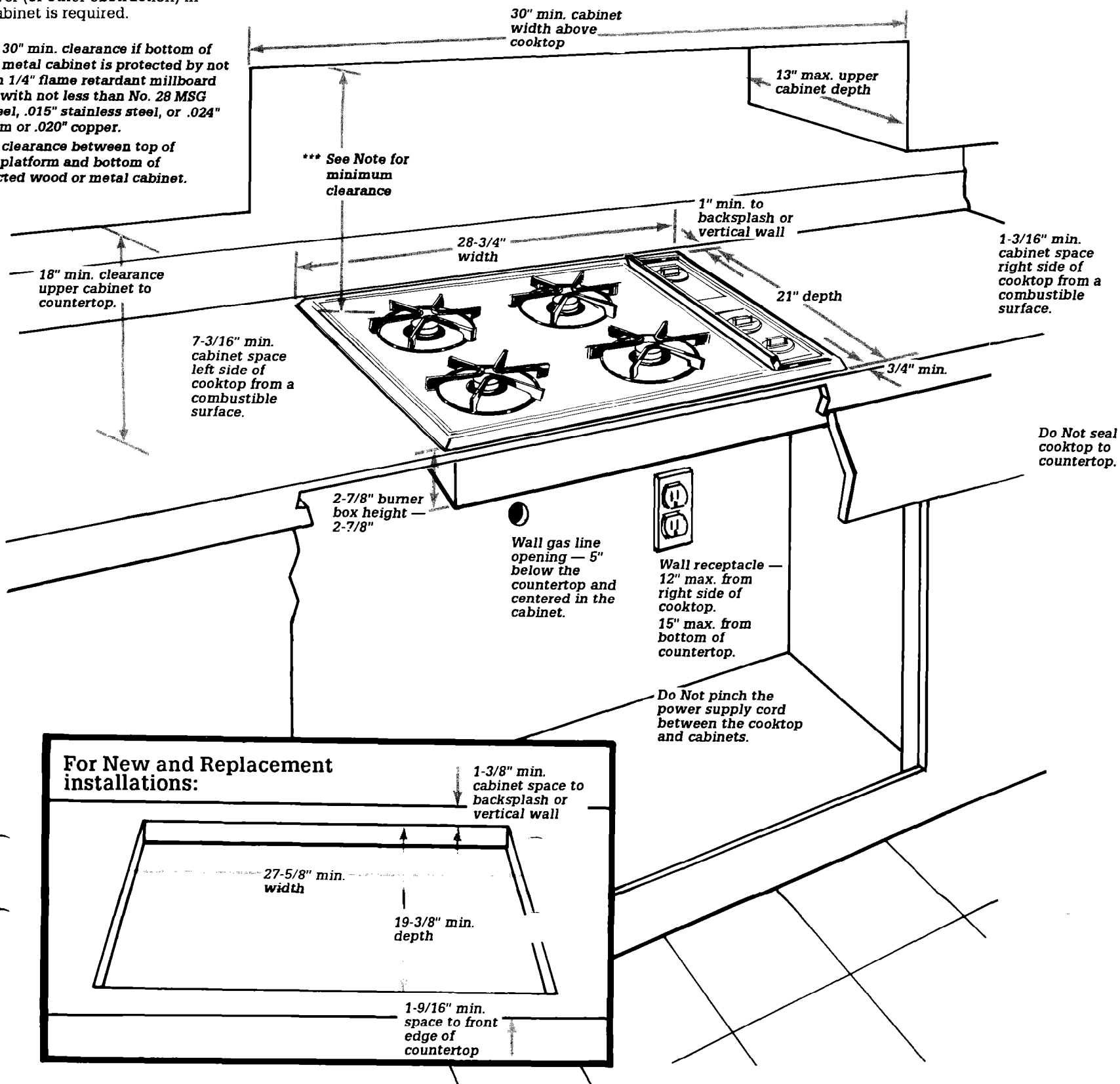
30" Cooktop

30" min. base cabinet is required. If cabinet has a drawer, a 3-3/8" depth clearance from the countertop to the top of the drawer (or other obstruction) in the base cabinet is required.

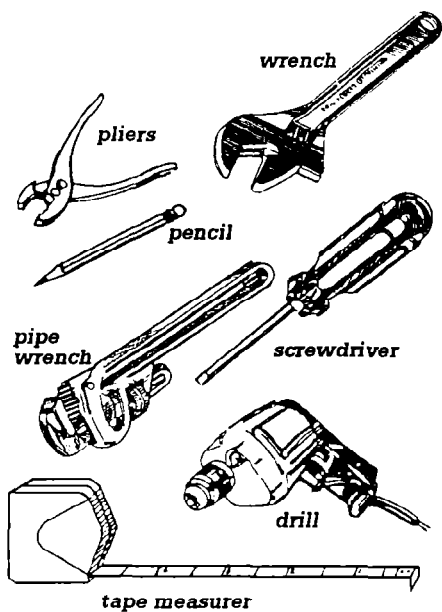
***Note: 30" min. clearance if bottom of wood or metal cabinet is protected by not less than 1/4" flame retardant millboard covered with not less than No. 28 MSG sheet steel, .015" stainless steel, or .024" aluminum or .020" copper.

36" min. clearance from top of cooking platform and bottom of unprotected wood or metal cabinet.

A. Read "Before you start...", "Gas requirements" and "Electrical requirements" before installing cooktop.



Tools and materials needed for installation:



Gas supply requirements

Important: Observe all governing codes and ordinances.

! WARNING

Fire Hazard

- Cooktop must be connected to a regulated gas supply.
- Do Not use an open flame to test for leaks from gas connections.
- New, A.G.A. design-certified, flexible gas line should be used when codes permit.

Failure to follow these instructions could result in a fire, explosion or other personal injury.

A. This installation must conform with local codes and ordinances. In the absence of local codes, installations must conform with American National Standard, National Fuel Gas Code ANSI Z223.1** — latest edition.

B. Input ratings shown on the serial/rating plate are for elevations up to 2,000 feet. For elevations above 2,000 feet, ratings are reduced at a rate of 4% for each 1,000 feet above sea level.

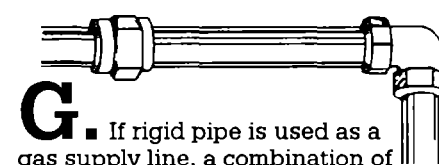
C. This cooktop is equipped for use with NATURAL gas. It is design-certified by A.G.A. for NATURAL and L.P. gas with appropriate conversion.

The serial/rating plate, located on the bottom of the cooktop, has information on the type of gas that can be used. If this information does not agree with the type of gas available, see your Roper dealer.

D. Provide a gas supply line of 3/4" rigid pipe to the cooktop location. A smaller size pipe on longer runs may result in insufficient gas supply. Pipe-joint compounds, resistant to the action of NATURAL and L.P. gas, must be used.

E. If local codes and ordinances permit, A.G.A.-design-certified, new flexible metal tubing is recommended for connecting cooktop to the gas supply line. Do Not kink or damage the flexible tubing when moving the cooktop. A 1/2" male pipe thread is needed for a pressure regulator female pipe threads.

F. The supply line shall be equipped with an approved shutoff valve. This valve should be located in the same room as the range and should be in a location that allows ease of opening and closing. Do Not block access to shutoff valve.



G. If rigid pipe is used as a gas supply line, a combination of pipe must be used to obtain an in-line connection to the cooktop. All strains must be removed from the supply and fuel lines so the cooktop will be level and in line.

H. The regulator must be checked at a minimum of 1-inch water column above the set pressure. The inlet pressure to the regulator should be as follows for operation:

NATURAL GAS:
Set pressure 7 inches
Maximum pressure 14 inches

L.P. GAS:
Set pressure 11 inches
Maximum pressure 14 inches

I. Line Pressure Testing:

Testing above 1/2 psi (gauge) —
The cooktop and its individual shutoff valve must be disconnected from the gas supply testing of that system at test pressures greater than 1/2 psig (3.5kPa).

Testing at 1/2 psi (gauge) —
The cooktop must be isolated from the gas supply piping system by closing its individual, manual shutoff valve during any pressure testing of the gas supply piping system at test pressures equal to or less than 1/2 psig (3.5kPa).

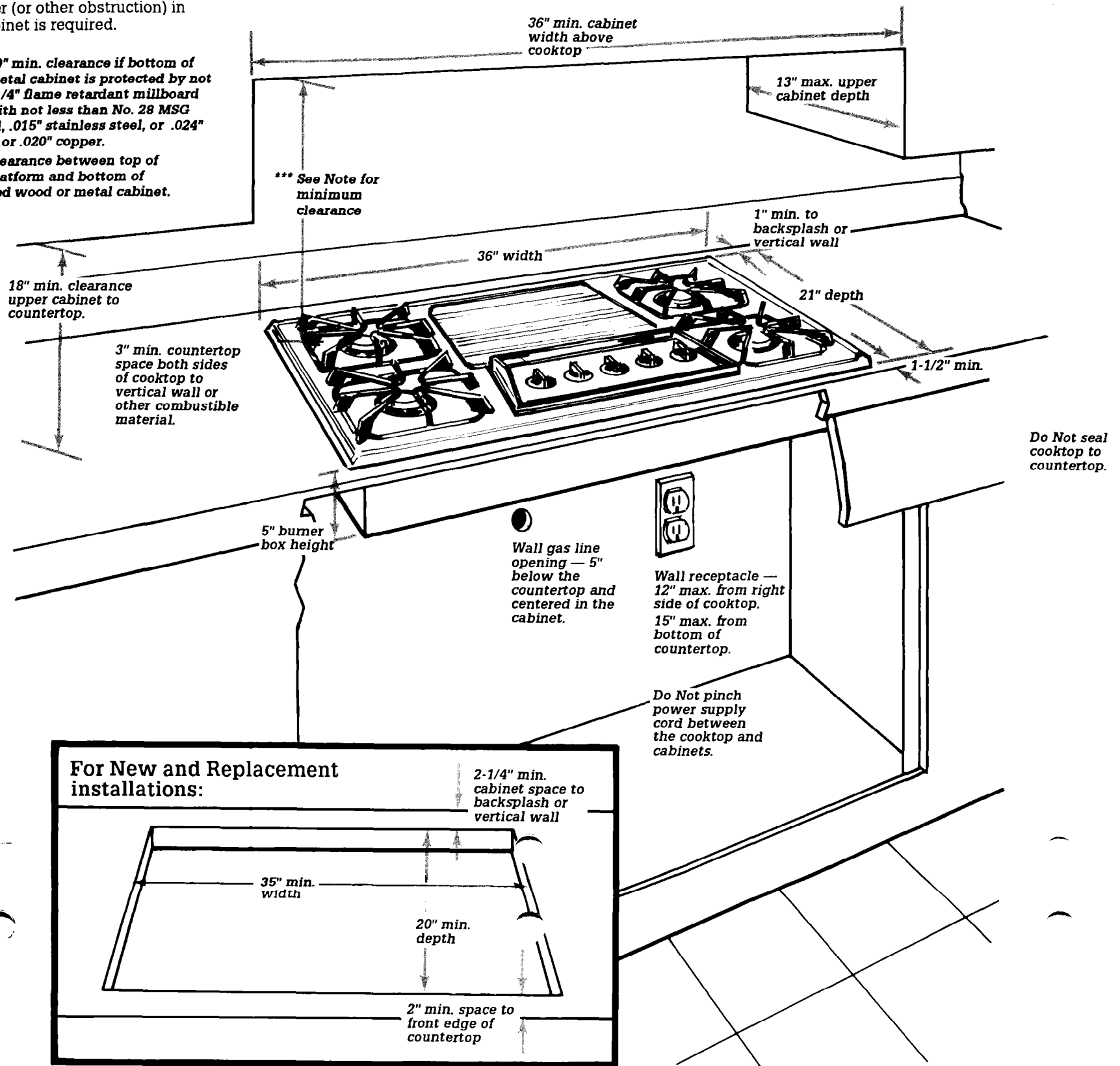
36" Cooktop

36" min. base cabinet is required. If cabinet has a drawer, a 5-1/2" depth clearance from the countertop to the top of the drawer (or other obstruction) in the base cabinet is required.

***Note: 30" min. clearance if bottom of wood or metal cabinet is protected by not less than 1/4" flame retardant millboard covered with not less than No. 28 MSG sheet steel, .015" stainless steel, or .024" aluminum or .020" copper.

36" min. clearance between top of cooking platform and bottom of unprotected wood or metal cabinet.

A. Read "Before you start...", "Gas requirements" and "Electrical requirements" before installing cooktop.



Electrical requirements

⚠ WARNING

Electrical Shock Hazard

- Electrical ground is required on this appliance.
- Do Not ground to a gas pipe.
- Do Not modify the power supply cord plug. If it does not fit the outlet, have a proper outlet installed by a qualified electrician.
- Do Not have a fuse in the neutral or grounding circuit. A fuse in the neutral or grounding circuit could result in an electrical shock.
- Do Not use an extension cord with this appliance.
- Check with a qualified electrician if you are in doubt as to whether the appliance is properly grounded.

Failure to follow these instructions could result in serious injury or death.

If codes permit and a separate grounding wire is used, it is recommended that a qualified electrician determine that the grounding path is adequate.

A 120-volt, 60-Hz, AC-only, 15- or 20-ampere, fused electrical supply is required. A time-delay fuse or circuit breaker box is recommended. It is recommended that a separate circuit serving only this appliance be provided.

Electronic ignition systems operate within wide voltage limits, but proper grounding and polarity is necessary. In addition to checking that the outlet provides 120-volt power and is correctly grounded, the outlet must be checked by a qualified electrician to see if it is wired with correct polarity.

Recommended grounding method

For your personal safety, this appliance must be grounded. This appliance is equipped with a power supply cord having a 3-prong grounding plug. To minimize possible shock hazard, the cord must be plugged into a mating 3-prong grounding-type wall receptacle, grounded in accordance with National Electrical Code, ANSI/NFPA 70-latest edition* and all local codes and ordinances. See Figure 1. If a mating wall receptacle is not available, it is the personal responsibility and obligation of the customer to have a properly grounded 3-prong wall receptacle installed by a qualified electrician.

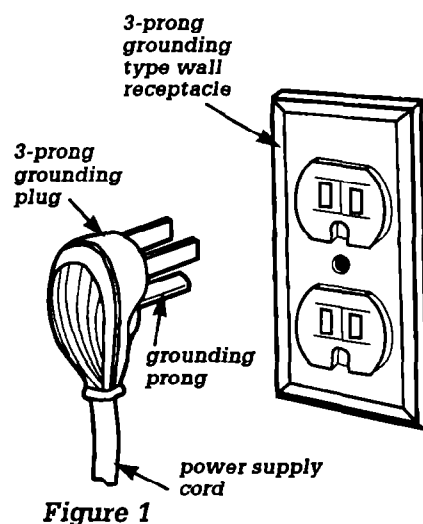


Figure 1

See Panel E for wiring diagram.

Now start

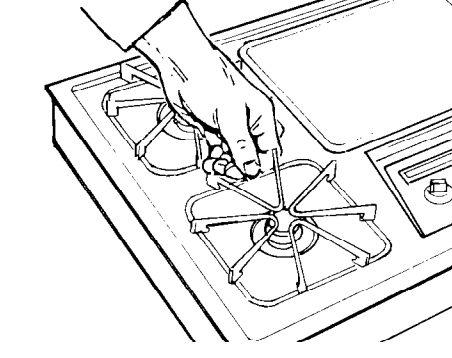
With cooktop in kitchen.

All cooktops are installed following these steps. The 36" cooktop is shown.

CAUTION
Property Damage
 Lift entire cooktop up from cutout when repositioning cooktop in countertop opening. Failure to do so could scratch countertop.

1. Remove shipping materials, tape, and protective film from cooktop.

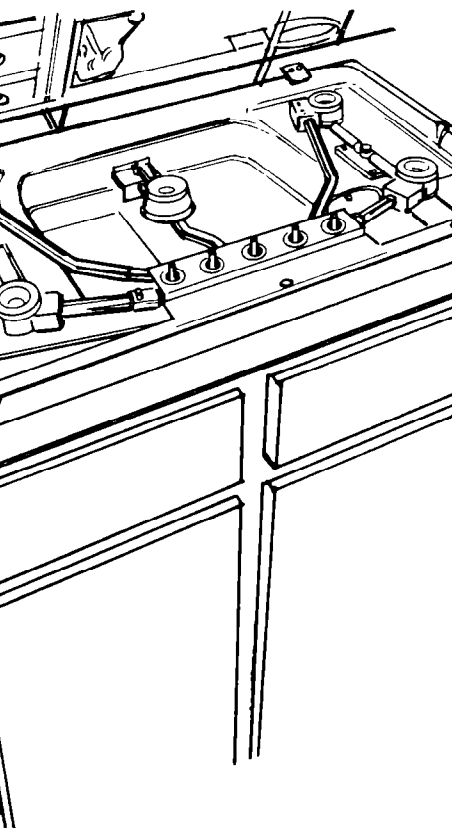
2. Remove the burner grates control knobs and griddle cover (if available for your model) from the cooktop.



3. Remove the plastic, parts bag (if supplied) from inside cooktop. Remove parts from bag and line up next to your tools.



4. Insert cooktop into the countertop opening. Center cooktop in cutout. Check that the front of the cooktop is parallel to the front edge of the countertop. Check that all required clearances are met. Lift up cooktop and mark location of mounting holes on countertop. Remove cooktop from cutout.



Determine which mounting method you will use. Refer to Steps 5, 6 and 7.

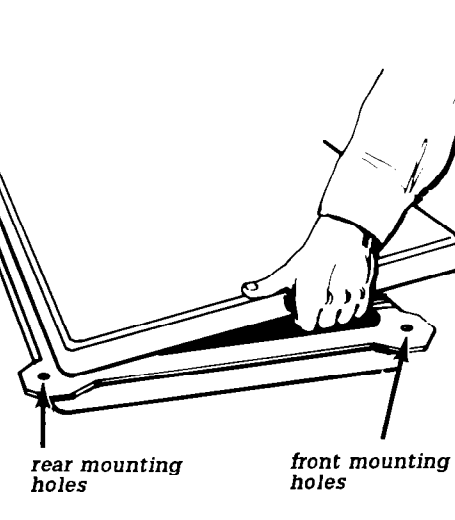
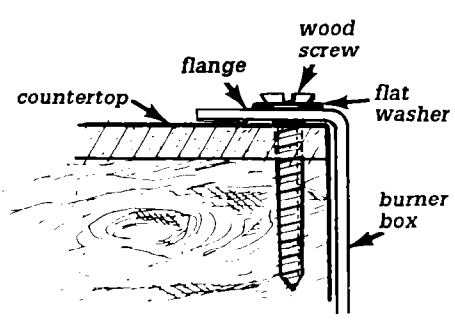
WARNING
Personal Injury Hazard
 Wear protective eyeglasses when using drill. Failure to wear eyeglasses may result in eye injury.

5. If the burner box flange will be screwed directly into the countertop: (Mounting screws may not be supplied with all models.)

A. Drill pilot holes at each mark for the screws.

B. Reset cooktop into cutout and align mounting holes with the pilot holes.

C. Lift cooktop up to at least a 90° angle and support the cooktop securely. Insert a wood screw in each of the front and rear corner mounting holes to fasten burner box flange to countertop. (Some cooktops may have a mounting hole in the center of the front and rear flanges. Use of center mounting holes is optional.) Do Not overtighten screws. Lower cooktop into operating position.



6. If the burner box will be nailed directly into the countertop: (Flat-head nails are not supplied.)

A. Drill pilot holes at each mark for the nails.

B. Reset cooktop into cutout and align mounting holes with the pilot holes.

CAUTION
Product Damage
 Do Not hit burner box flange with hammer. Hitting the flange with the hammer could damage the porcelain finish.

C. Lift cooktop up to at least a 90° angle and support the cooktop securely. Hammer a flat-head nail through each of the front and rear corner mounting holes to fasten burner box flange to countertop. (Some cooktops may have a mounting hole in the center of the front and rear flanges. Use of center mounting holes is optional.) Do Not hammer nails too tightly to countertop. Lower cooktop into operating position.

7. If countertop material is difficult to drill through (such as ceramic): (Wood screws or nails may not be supplied.)

CAUTION
Property Damage
 Use special care when drilling through ceramic materials. Ceramic materials may crack or shatter during drilling.

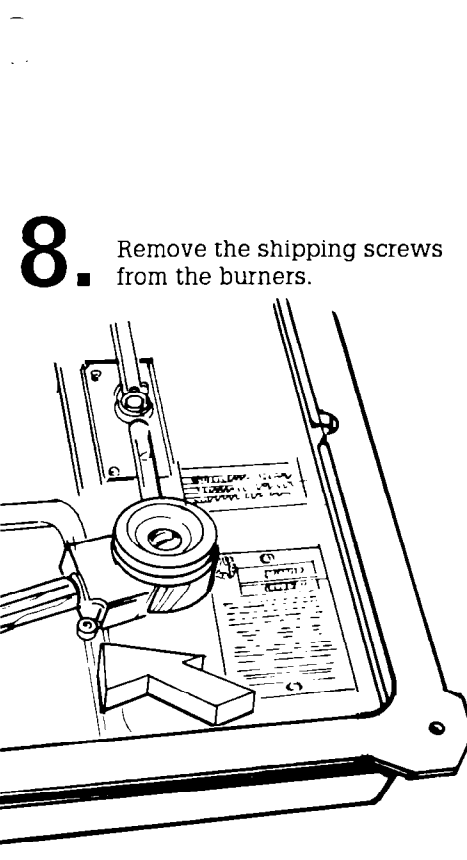
A. Use a carbide tip drill bit to drill clearance holes through the countertop material at each mark.

B. Reset cooktop into cutout and align mounting holes with the drilled clearance holes.

CAUTION
Product Damage
 Do Not hit burner box flange with hammer. Hitting the flange with the hammer could damage the porcelain finish.

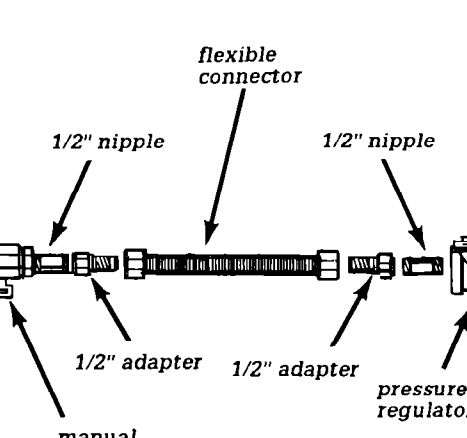
C. Lift cooktop up to at least a 90° angle and support the cooktop securely. Use a wood screw or flat-head nail through each of the front and rear corner mounting holes to fasten burner box flange to countertop. (Some cooktops may have a mounting hole in the center of the front and rear flanges. Use of center mounting holes is optional.) Do Not overtighten screws or hammer nails too tightly to countertop. Lower cooktop into operating position.

Optional method: Bolts at least 2-1/2 inches long (available from a local hardware store) can be used, depending on the location of the cooktop mounting holes.



8. Remove the shipping screws from the burners.

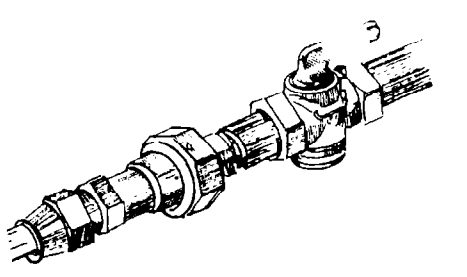
9. Assemble the flexible connector from the gas supply pipe to the pressure regulator in order: manual shutoff valve, 1/2" nipple, 1/2" adapter, flexible connector, 1/2" adapter, and 1/2" nipple.



WARNING
Fire Hazard
 Do Not make connection too tight. The regulator is die-cast. Overtightening may crack the regulator, resulting in a gas leak and possible fire or explosion.

10. Use pipe-joint compound resistant to the action of NATURAL and L.P. gas to seal all gas connections. If flexible connectors are used, be certain connectors are not kinked.

11. Open the shutoff valve in the gas supply. Wait a few minutes for the gas to flow through the gas line.

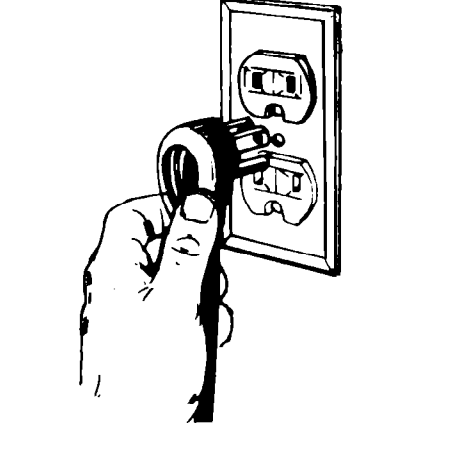


WARNING
Fire Hazard
 Do Not use an open flame to check for leaks from gas connections. Checking for leaks with a flame may result in a fire or explosion.

12. Use a brush and liquid detergent to test all gas connections for leaks. Bubbles around connections will indicate a leak. If a leak appears, shut off the valve controls and adjust connections. Then check connections again. NEVER TEST FOR GAS LEAKS WITH A MATCH OR OTHER FLAME. Clean all detergent solution from cooktop.

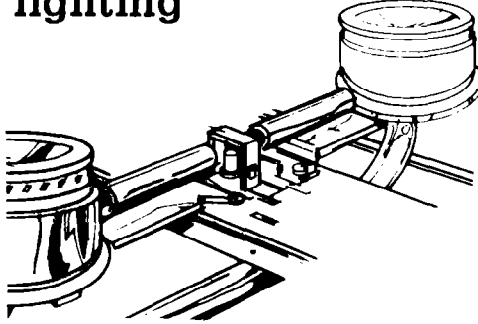
All connections must be wrench-tightened.

13. Plug the electrical cord into the grounded outlet.



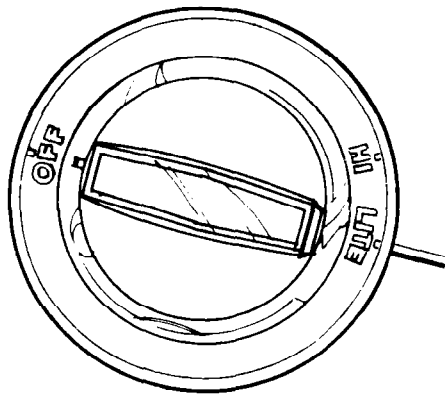
14. Place the burner grates over the burners and caps. Place the cover on the griddle (if available). Install the control knobs on the valve stems.

Electronic ignition system — initial lighting



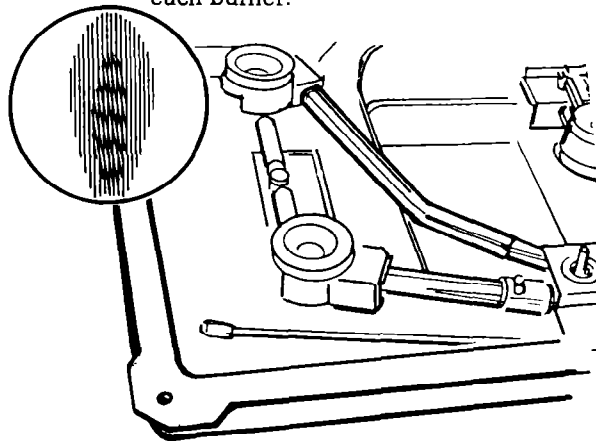
Cooktop burners use electronic igniters in place of standing pilots. When the cooktop control knob is turned to the "LITE" position, the system creates a spark to light the burner. This sparking continues until the control is turned to the desired setting.

15. Check the operation of the cooktop burners. Push in and turn each control to the "LITE" position. The flame should light within 4 seconds. Do not leave the knob in the "LITE" position after the burner lights.

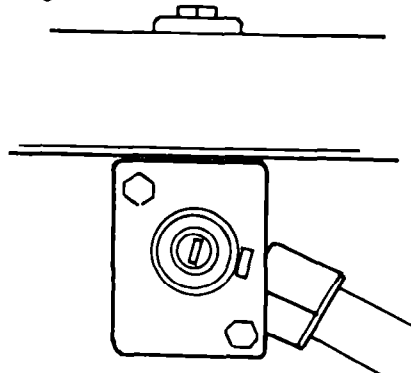


16. After the burner lights, turn the control knob to the "HI" position. Check that the burner flame has a small, inner cone with a very distinct, blue flame that is 1/4" to 1/2" long. The outer cone is not as distinct as the inner cone.

If the burners need adjusting, loosen the shutter screw. Adjust the air shutter. Closing the air shutter will cause a soft, yellow-tipped flame. Opening the air shutter will cause lifting or blowing of the flame from the burner. After adjusting a shutter, tighten the shutter screw. Repeat for each burner.

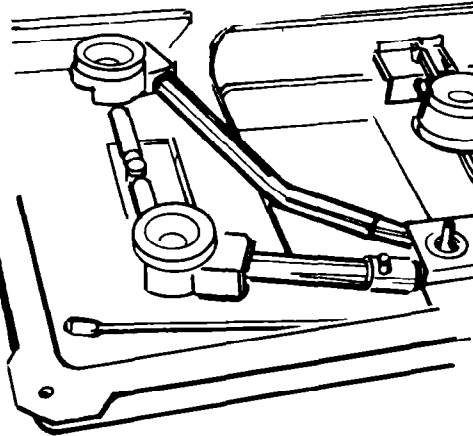


17. Push in and turn the control knob to the "LITE" position and then to the low position. The low flame should be a minimum, steady, blue flame. To adjust the burner, remove the control knob and turn the adjustment screw in the center of the valve stem. Check the adjustment by turning the control knob from "HI" to low several times. The burner is properly adjusted when the low flame remains steady and the burner does not go out. Check each burner.



Standing pilot system

15. A. Be sure all control knobs are in the "OFF" position. Raise the cooktop. Use a match to light both pilots. Adjust pilot adjustment screw so pilot flame tip is 1/4" to 3/8" high and centered in the hole in the pilot housing. If the flame is too high, carbon (soot) will accumulate under the cooktop.



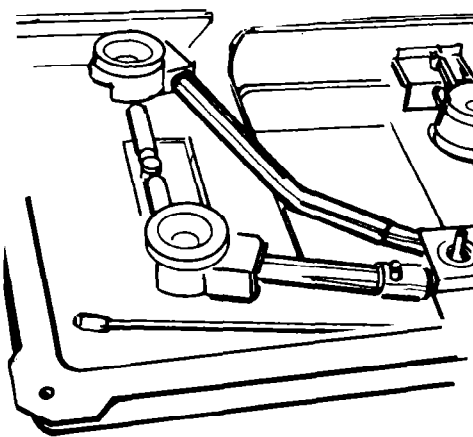
16. A. Check the operation of the cooktop burners. Push in and turn each control knob to "LITE" position. The flame should light within 4 seconds. Do not leave the knob in the "LITE" position after burner lights.

17. A.

After burner lights, turn control knob to "HI" position. Check each cooktop burner for proper flame. The small inner cone should have a very distinct blue flame 1/4" to 1/2" long. The outer cone is not as distinct as the inner cone.



18. A. If burners need adjusting for proper flame, adjust the air shutter to the widest opening that will not cause the flame to lift or blow off of the burner. Repeat as necessary with each burner.



19. A. Repeat Step 17.

Congratulations!
You have just finished installing your new, Roper cooktop. Keep Installation Instructions available for easy reference.

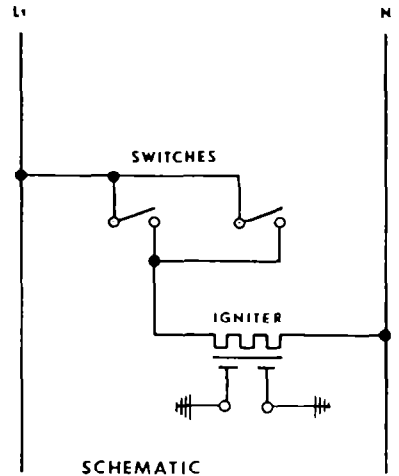
Wiring diagrams

WARNING

Electrical Shock Hazard
Disconnect from electrical supply before servicing unit.
Failure to disconnect power supply may cause electrical shock.

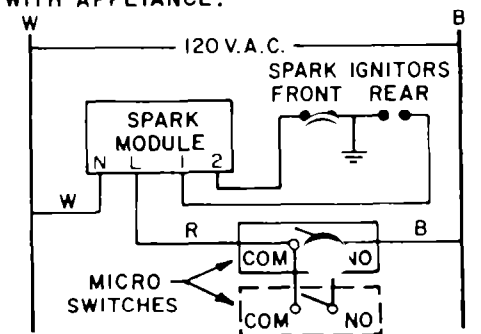
The power cord on this appliance is equipped with a three-pronged (grounding) plug which mates with standard, three-pronged (grounded) wall receptacles.

20" gas models

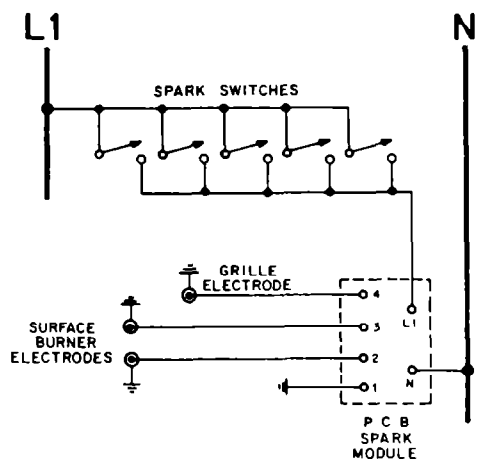


30" gas models

NOTE: WIRES TO BE REPLACED MUST HAVE SAME INSULATION & TEMPERATURE RATING AS ORIGINAL WIRES SUPPLIED WITH APPLIANCE.

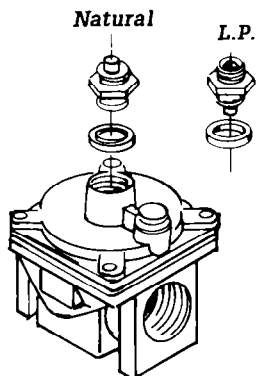


36" gas models

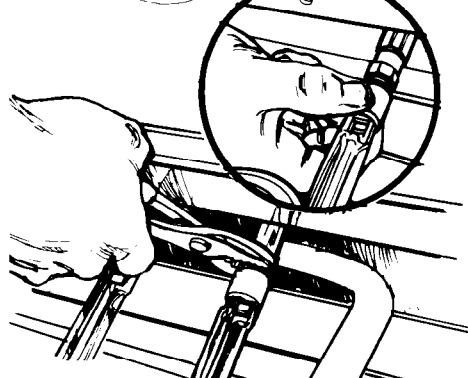
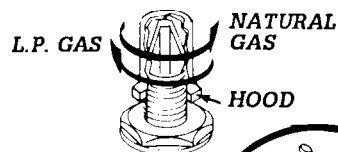


L.P. Gas Conversion

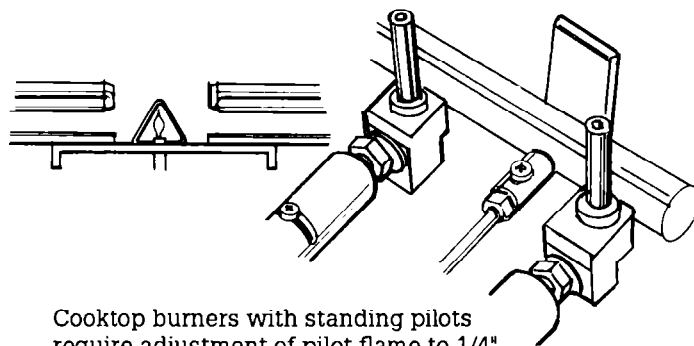
Converting to L.P. gas should be done by a qualified installer.



A. Only a qualified installer should install or adjust your gas range. **Pressure Regulator:** Use a wrench to unscrew the cap from the top by turning counter-clockwise. Turn the cap over so the hole end is up. Replace the cap and gasket on the regulator. **DO NOT REMOVE THE PRESSURE REGULATOR.**



B. Cooktop Burners: Turn the orifices hood down until snug against pin. **DO NOT OVERTIGHTEN.** Adjust the air shutters for proper flame by sliding the air shutter to close or open the shutter as needed. See Panel E, Step 16 for electronic ignition systems and Panel E, Steps 17A and 18A for standing pilot systems.



Cooktop burners with standing pilots require adjustment of pilot flame to 1/4" high. The adjustment control is located on the manifold pipe or at pilot flame base depending on the model.

C. After all the burners have been converted to L.P. gas usage and gas line is connected, check for leaks. Use a brush and liquid detergent to test all gas connections for leaks. Bubbles around connections will indicate a leak. If a leak appears, shut off gas valve controls and adjust connections. Then check connections again. **NEVER TEST FOR GAS LEAKS WITH A MATCH OR OTHER FLAME.**

If cooktop does not operate...

Check that the circuit breaker is not tripped or fused blown. Check that the power supply cord is plugged into the wall receptacle. Check that gas valves are turned to the "ON" position.

A more detailed troubleshooting checklist is provided in the Use and Care Guide.

NOTE: Refer to Use and Care Guide for operating instructions and cleaning instructions.

If you need assistance...

The Roper Consumer Assistance Center will answer any questions about operating or maintaining your appliances not covered in the Installation Instructions. The Roper Consumer Assistance Center is open 24 hours a day, 7 days a week. Just dial (800) 447-6737 — the call is free.

When you call, you will need the appliance model number and serial number. Both numbers can be found on the serial/rating plate located on the bottom of the cooktop.

If you need service...

In the event that your Roper appliance should need service, call the dealer from whom you purchased the appliance or a Roper-authorized service company. A Roper-authorized service company is listed in the Yellow Pages of your telephone directory under "Appliances — Household — Major — Service of Repair". You can also obtain the service company's name and telephone number by dialing, free, within the continental United States, the Roper Consumer Assistance Center telephone number, (800) 447-6737. A special operator will tell you the name and number of your nearest Roper-authorized service company.



Benton Harbor, Michigan 49022